

Push Switches

MT Switches, Drip & Dust Proof Type / 防滴・防塵タイプ

■ Features


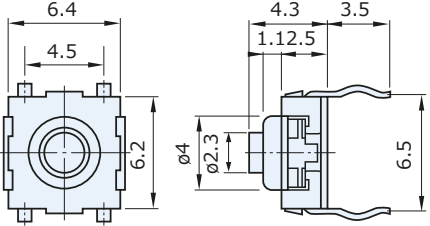
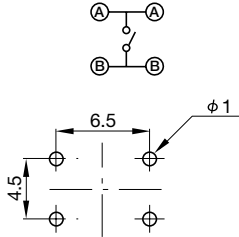

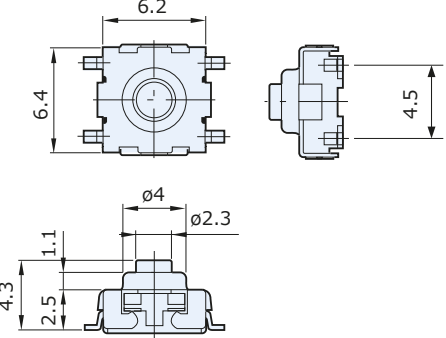
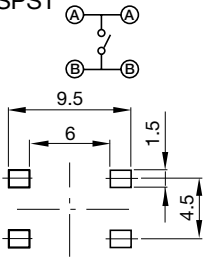
1. The contact part of the construction of these switches is sealed, thus improving resistance to dust and drops of liquid.
2. Both discrete types and SMD types compatible with automatic surface mounting are available.

■ Specification

1. Rating : 50mA, 12V DC
2. Contact Resistance : 200mΩ max.
3. Insulation Resistance : 100MΩ min. 100V DC
4. Withstanding Voltage : 250V AC (for one minute)
5. Circuit : SPST
6. Travel : 0.3mm
7. Operating Force : 1.57^{+0.03}/_{-0.03}N
8. Operating Life : 300,000 cycles
9. Operating Temperature Range : -25°C to +70°C

■ Application

Car audios, PCs, PC peripherals, TVs, DVD players, industrial equipment, business equipment, home appliance and healthcare products.

<p>JPM1120-0101</p> <p>Discrete Type</p> 		<p>Circuit : SPST</p>  <p>P. C. Board Dimension</p>
<p>JPM1120-1011</p> <p>SMD Type</p>  <p>1,500 pcs/reel</p>		<p>Circuit : SPST</p>  <p>P. C. Board Dimension</p>